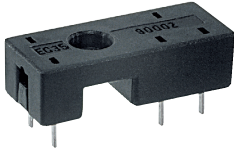


Plug-in sockets and accessories

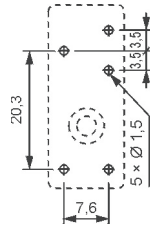
EC 35

For RM87N, RM87N sensitive, RM92

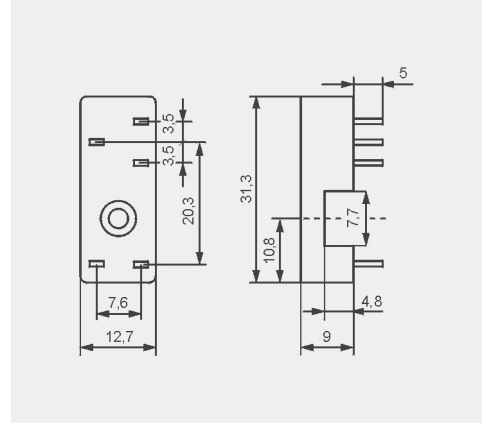
For PCB
31,3 x 12,7 x 9 mm
One pole, 3,5 mm pinout
12 A, 300 V AC



Pinout



Dimensions



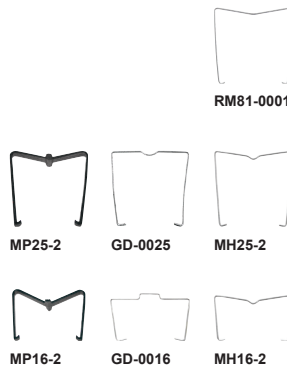
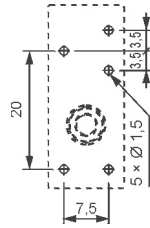
GD35

For RM87N, RM87N sensitive, RM92

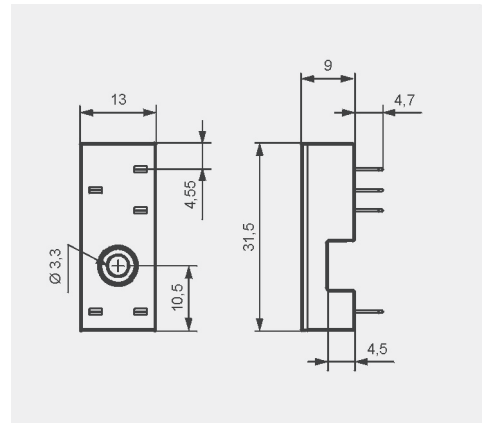
For PCB
31,5 x 13 x 9 mm
One pole, 3,5 mm pinout
12 A, 300 V AC



Pinout



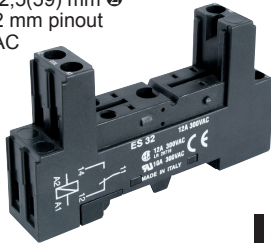
Dimensions



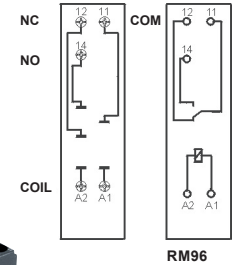
ES 32

For RM96 1 CO

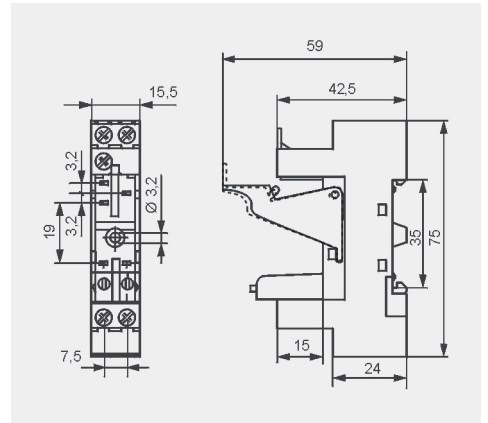
Screw terminals
Max. tightening moment for the terminal: 0,7 Nm
35 mm rail mount acc. to PN-EN 60715 or on panel mounting
75 x 15,5 x 42,5(59) mm ②
One pole, 3,2 mm pinout
12 A, 300 V AC



Connection diagrams



Dimensions

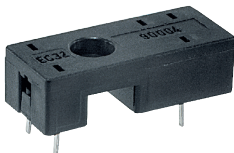


Accessories ①

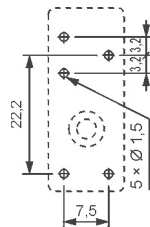
ZGGZ80 GZM80-0041

EC 32

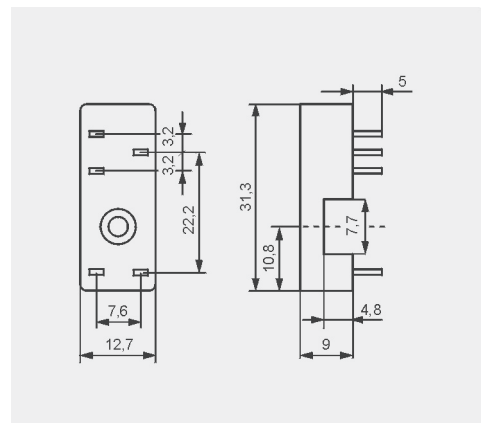
For PCB
31 x 12,7 x 9 mm
One pole, 3,2 mm pinout
12 A, 300 V AC



Pinout



Dimensions



Accessories

① Mounting and sub-assemblies of accessories in the socket - see page 15. Signalling / protecting modules type M... - see page 20.
② In the bracket the height of socket with retainer / retractor clip is shown.

Interconnection strips ZGGZ80



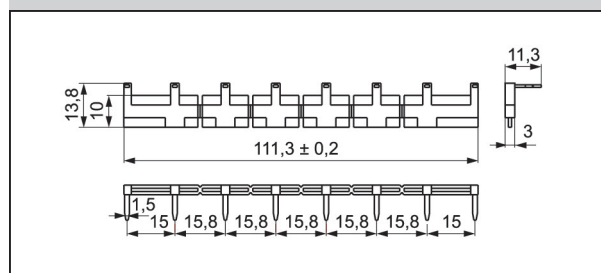
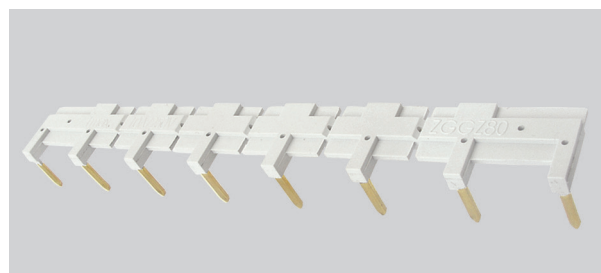
ZGGZ80 for:

| Plug-in sockets | Relays for plug-in sockets | Interface relays [Ⓢ] |
|-----------------|--|-------------------------------|
| GZT80 | RM84, RM85, RM85 inrush, RM85 105 °C sensitive, RMB841, RMB851, RM87L [Ⓢ] , RM87P [Ⓢ] , RM87N [Ⓢ] | PI84-...-M..G (RM84 + GZT80) |
| GZM80 | | PI84-...-00L. (RM84 + GZM80) |
| GZS80 | | PI85-...-M..G (RM85 + GZT80) |
| GZT92 | | PI85-...-00L. (RM85 + GZM80) |
| GZM92 | | |
| GZS92 | | |
| ES 32 | RM96 1 CO | |

[Ⓢ] Interface relay PI84 (PI85) is offered as a set: plug-in socket GZT80 or GZM80 + miniature relay RM84 (RM85) + signalling / protecting module type M... + retainer / retractor clip GZT80-0040 + description plate GZT80-0035. [Ⓢ] Also versions RM87. sensitive

Interconnection strip ZGGZ80

- designed for the co-operation with plug-in sockets of miniature relays and with interface relays PI84 and PI85, which are equipped with screw terminals; sockets and relays are mounted on 35 mm rail mount acc. to PN-EN 60715,
- bridges common input signals (coil terminals A1 or A2) or output signals - see photo at the top,
- maximum permissible current is 10 A / 250 V AC,
- possibility of connection of 8 sockets or relays,
- colours of strips: **ZGGZ80-1** grey, **ZGGZ80-2** black.



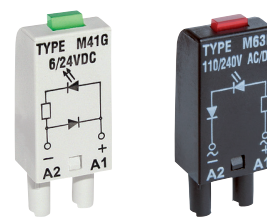
Signalling / protecting modules type M...

For sockets type:

GZT80, GZM80, GZS80, GZMB80, GZT92, GZM92, GZS92, ES 32, GZT2, GZM2, GZMB2, GZT3, GZM3, GZT4, GZM4, GZMB4

Modules type M... are parallelly connected with relay coil.

Polarity P: -A1/+A2. Polarity N: +A1/-A2.



| Modules type M... | Layout | Voltage | Type of module ① ② |
|--|--------|--|--|
| Module D (polarization P) It limits overvoltage on DC coils. | | 6/230 V DC | M21P |
| Module D (polarization N) It limits overvoltage on DC coils. | | 6/230 V DC | M21N |
| Module LD (polarization P) It limits overvoltage on DC coils. Coil energizing indication. | | 6/24 V DC 24/60 V DC 110/230 V DC | M31R, M31G M32R, M32G M33R, M33G |
| Module LD (polarization N) It limits overvoltage on DC coils. Coil energizing indication. | | 6/24 V DC 24/60 V DC 110/230 V DC | M41R, M41G M42R, M42G M43R, M43G |
| Module RC It protects against EMC disturbance. It limits overvoltage. | | 6/24 V AC 24/60 V AC 110/240 V AC | M51 M52 M53 |
| Module L Coil energizing indication. | | 6/24 V AC/DC 24/60 V AC/DC 110/230 V AC/DC | M61R, M61G M62R, M62G M63R, M63G |
| Module LV It limits overvoltage on AC and DC coils. Coil energizing indication. | | 6/24 V AC/DC 24/60 V AC/DC 110/230 V AC/DC | M91R, M91G M92R, M92G M93R, M93G |
| Module V It limits overvoltage on AC and DC coils. No indication. | | 24 V AC 130 V AC 230 V AC | M71 M72 M73 |
| Module R It limits overvoltage on AC coils. | | 110/230 V AC | M103 |

① M...R - LED red, M...G - LED green

② When ordering modules indicate their color: gray or black.

